

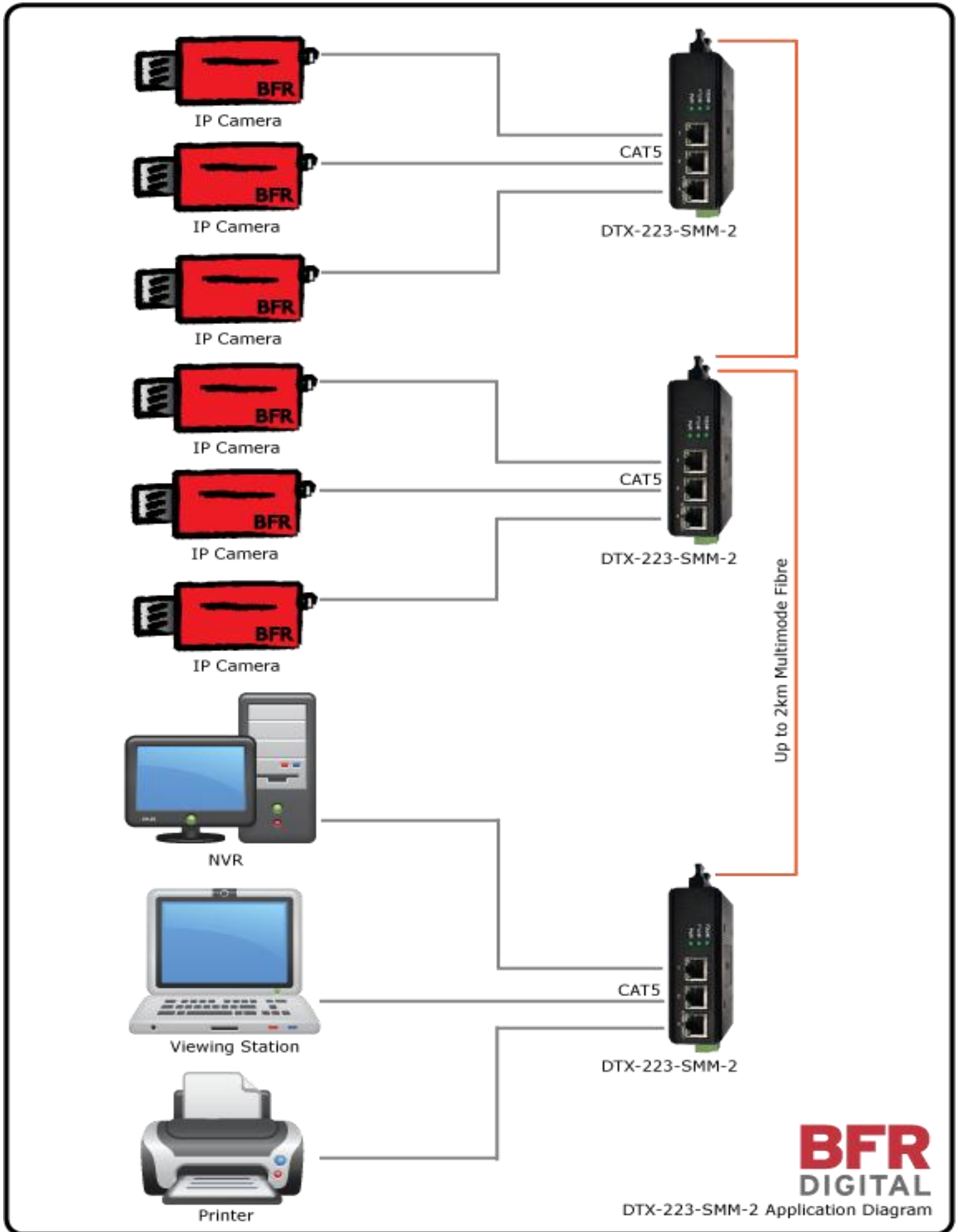
DTX-223-SMM-2 Dual Fibre Port Industrial Ethernet Switch

Product Features

- Two Multimode fibre ports
- Three 10/100Base-T ports
- IEEE802.3 / 802.3u / 802.3x
- 10/100M auto negotiation
- MDI/MDI-X auto negotiation
- Supports full duplex and half duplex
- Store and Forward 100M
- Broadcast storm protection
- **Multimode** Fibre Distance up to 2km
- Operating temperature from -40 to 75°C
- Rugged metal enclosure
- LED indicators for system monitoring
- 5 year warranty



10/100M Industrial Switch	DTX-100-SMM-2	
Product Description	Dual Fibre Port Industrial Switch for Multimode Daisy-Chain Applications	
Technical Specifications:		
Interface		
Standard:	IEEE 802.3 / 802.3u / 802.3x	
10/100Base-T:	3 ports (RJ45)	
100Base-FX:	2 ports (Multimode, Dual Fibre)	
Forwarding and Filter Rate:	148810pps	
Switch Type:	Process Switching	
MAC Addresses Supported	1000	
Optical		
Optical emitter	Laser	
Optical output:	Rx (850nm) Tx (850nm)	
Fibre distance:	2km Multimode	
Connector:	Rx (SC) Tx (SC) (ST optional)	
Number of fibres:	2 per port	
Mode of operation		
Format:	Asynchronous; Point-to-Point; Adaptive Full/Half Duplex	
Auto-negotiation:	Yes	
Auto-MDI/MDI-X:	Yes	
General		
Power supply:	12 to 36Vdc (500mA)	
Operating temperature:	-40°C to 75°C	
Operating humidity:	0% to 95%; non-condensing	
Dimensions (mm):	103 x 78 x 32	
Mounting:	DIN-Rail	



* Product specifications are subject to change without notice
* All rights remain reserved